

SOFTEC DSP EV

DUPLEX Softening Plants with Single Valves

Our SOFTEC DSP EV series comes with single valves and a dual softening plant. It serves the treatment of water volumes up to 60 m³/h.

Properties:

- dual softening plant
- continuously soft water
- easy installation and commissioning
- microprocessor control
- automatic regeneration

Components:

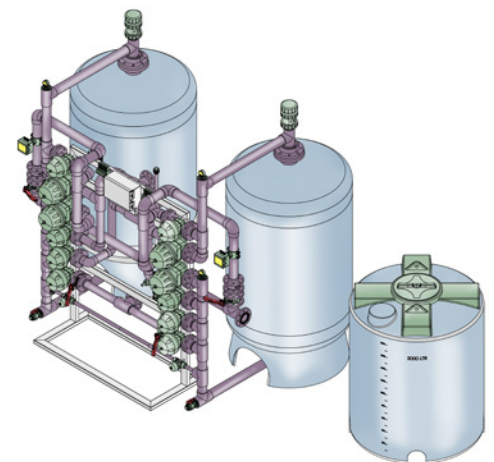
- GFRP filter tanks
- cationic resin
- single-valve circuit
- brine tank
- brine valve
- piping plus all fittings and measuring instruments necessary for the installation of the plant and monitoring the hydraulic parameters

Operating Conditions:

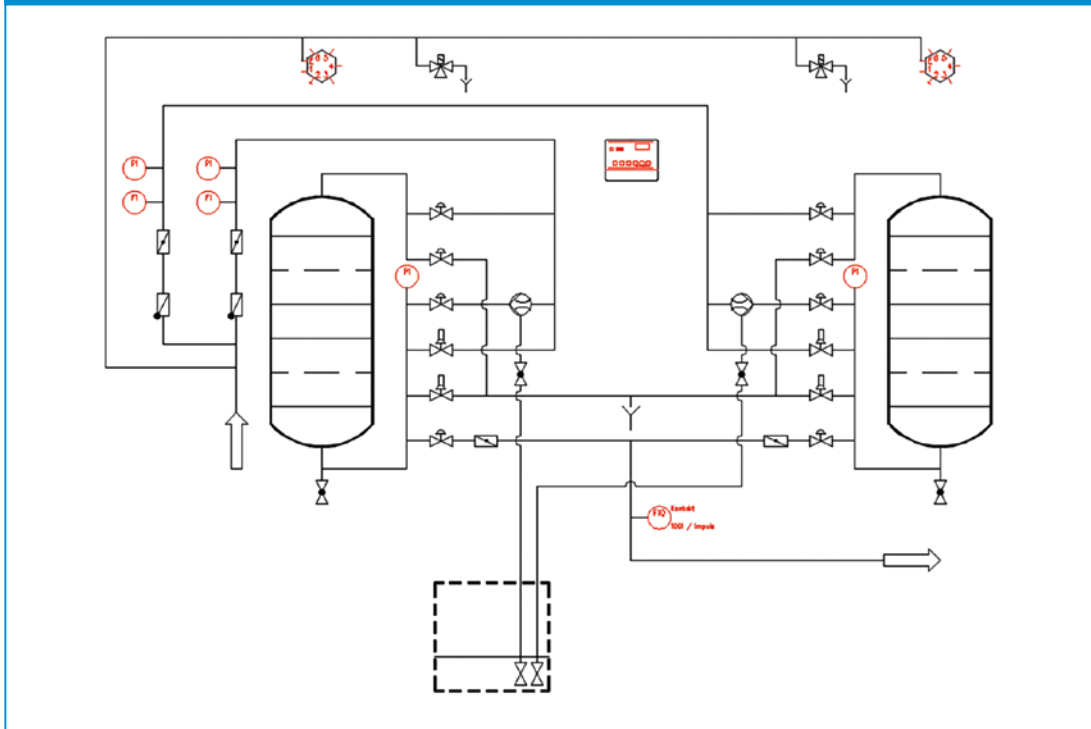
Hereinafter, the requirements for the inlet water:

Inlet pressure	2-6 bar
Temperature range	5-40° C
Free chlorine (Cl ₂)	< 0.1 mg/l
Iron (Fe)	< 0.1 mg/l
Manganese (Mn)	< 0.1 mg/l
Inlet water	free of oils, oxidants, colloids, or particles

It is recommended to install a filter, cartridge or self-cleaning, in front of the softening plant with a fineness of 100 µm. For regeneration, it is recommended to use technically pure salt in the form of a tablet, granulate, or liquid brine.



Process diagram



sample scheme

Technical Data:

Type		DSP500 EV	DSP575 EV	DSP750 EV	DSP1000 EV	DSP1200 EV	DSP2500 EV
Capacity*	m ³ /h max.	18	20	26	35	40	60
Operating mode		Direct Current Regeneration					
Differential pressure*	bar	1.0					
Electrical connection		230V, 50Hz					
Resin volume per tank	Amberlite HPR 1 100 Na (l)	500	575	750	1 000	1 200	2 500
Resin capacity*	m ³ x °dH	2 000	2 300	3 000	4 000	4 800	10 000
Tank size	inch	30 x 72		36 x 72	42 x 72	48 x 72	63 x 86
Brine tank	Volume (l)	1 000		1 500	2 000		3 000
Connection		DN50	DN65		DN80		DN100
Dimensions*	Length (mm)	3 000	3 000	4 000	4 500	5 000	5 500
	Width (mm)	1 100	1 100	1 500	1 800	2 000	2 500
	Height (mm)	2 400	2 400	2 400	2 400	2 400	2 800

*all specifications are approximate